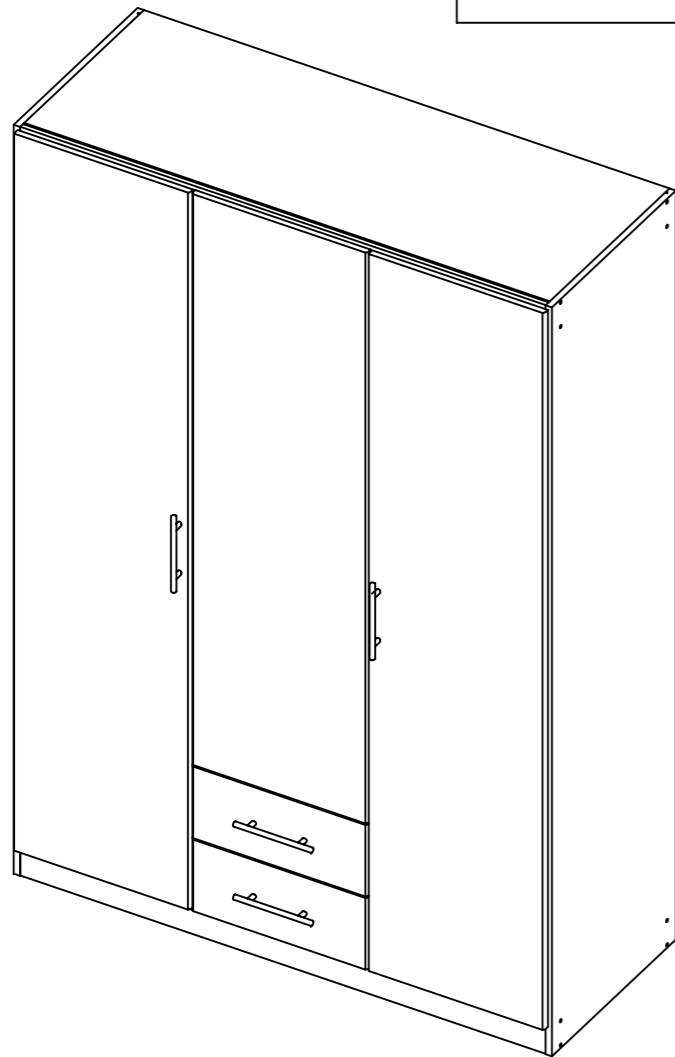
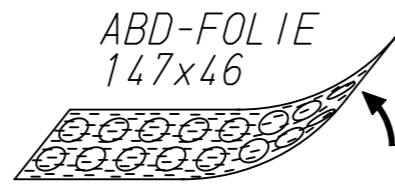
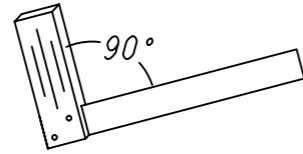
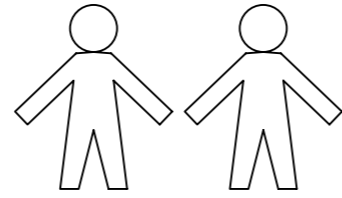
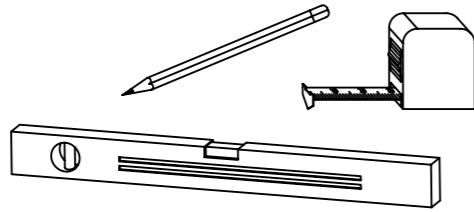
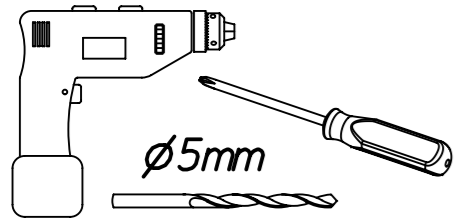
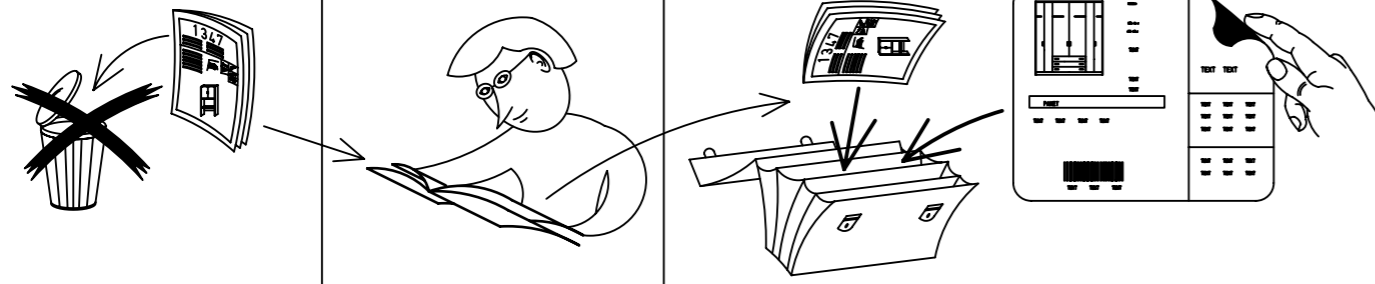


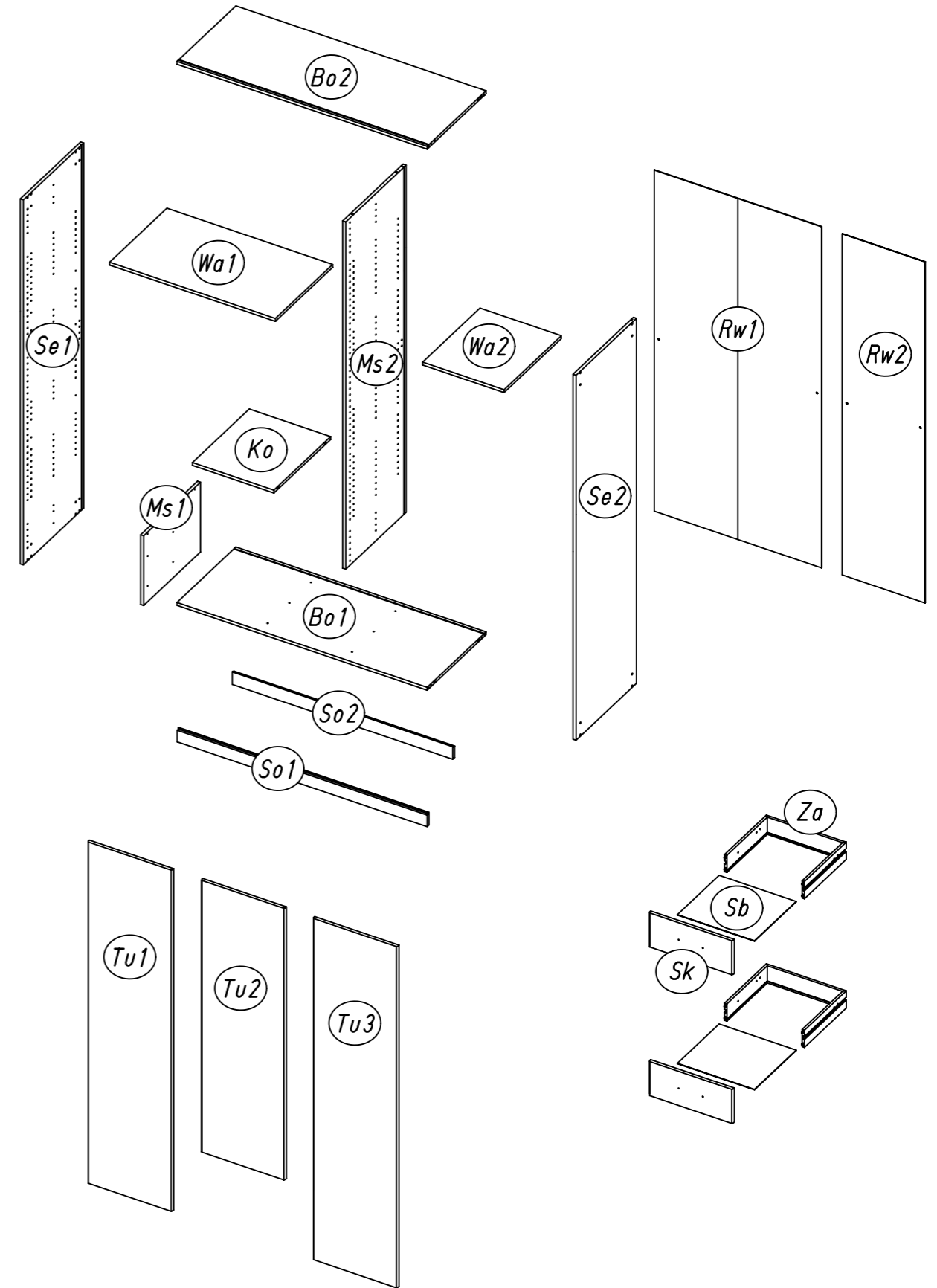
1.

M1794_01

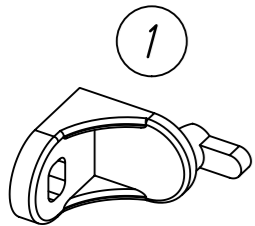
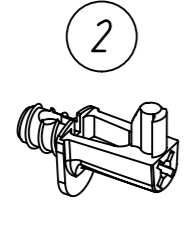
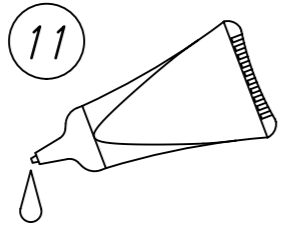
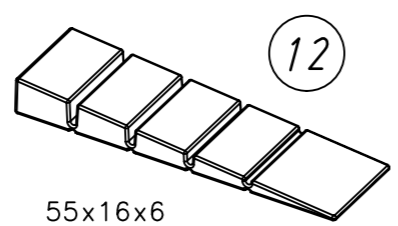
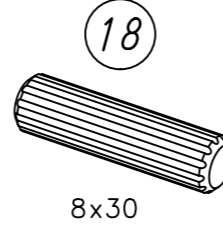
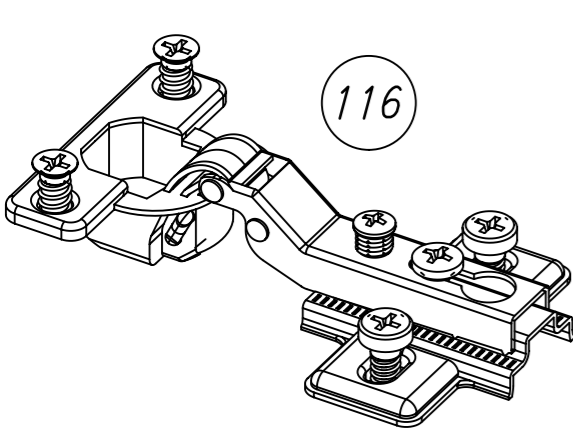
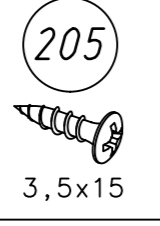
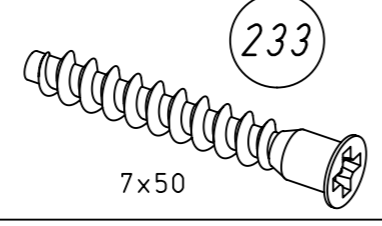
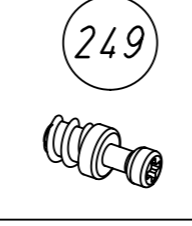
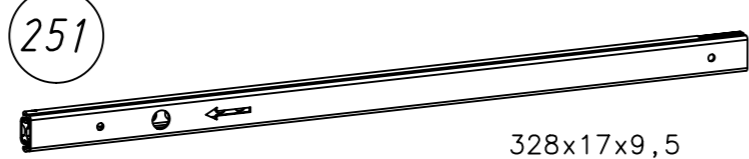
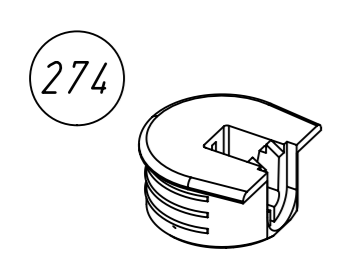
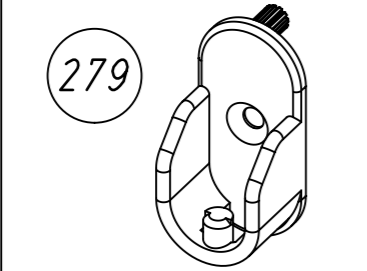
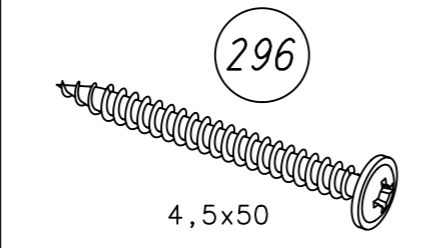
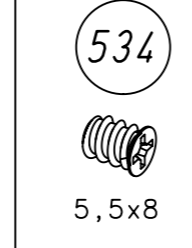

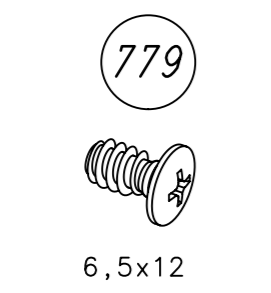
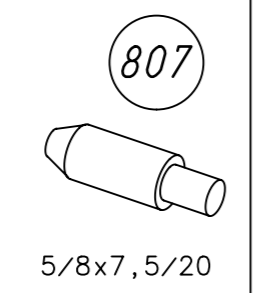
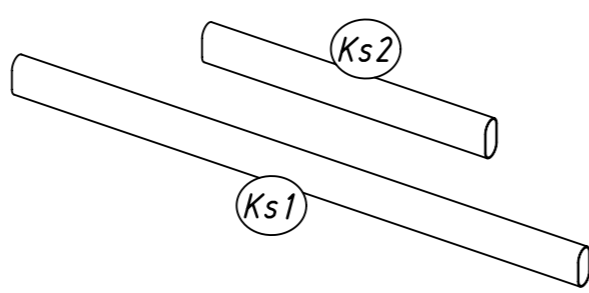
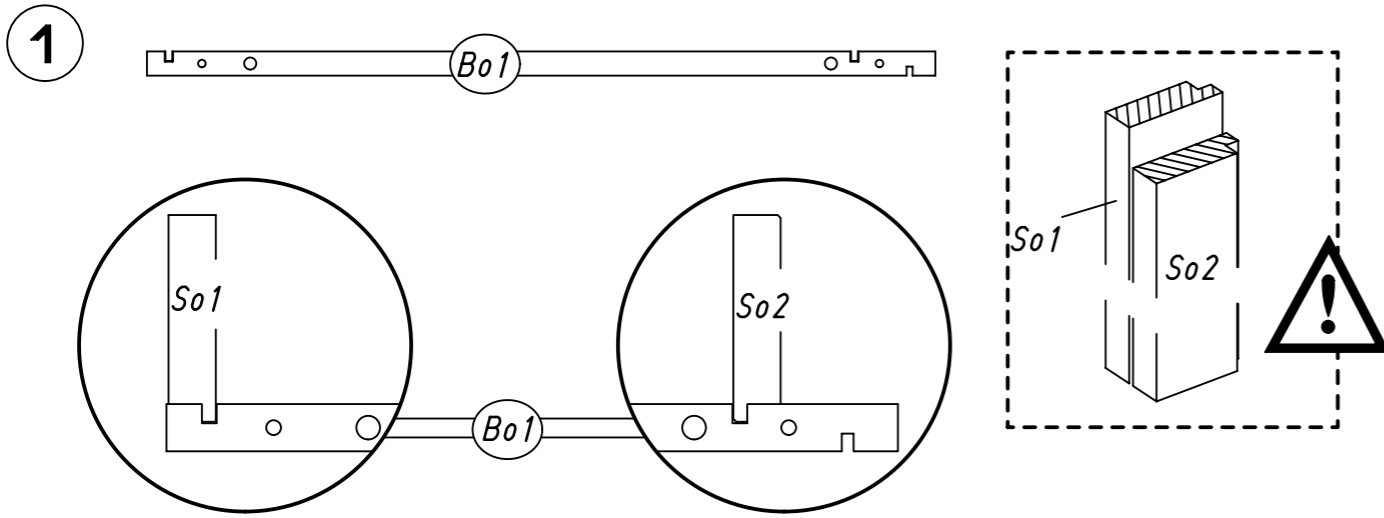

rauch



2.



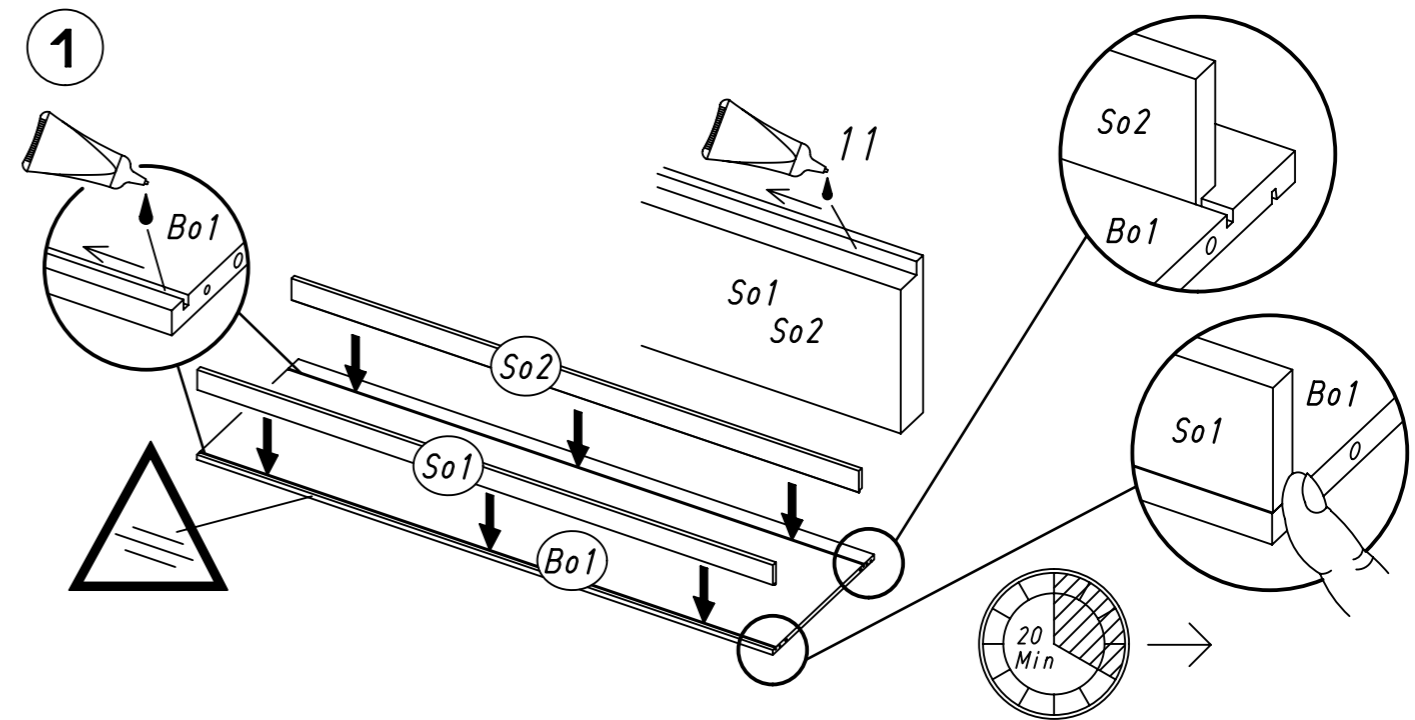
3.

			 55x16x6	 8x30
		 3,5x15	 7x50	
		 328x17x9,5		
		 4,5x50	 5,5x8	
 M4x9	 6,5x12	 5/8x7,5/20	 Ks1 Ks2	
 <p>1</p> <p>So1, So2, Bo1</p> <p>Warning: </p>				

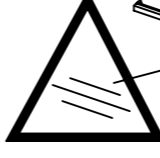
M1794

4.

1

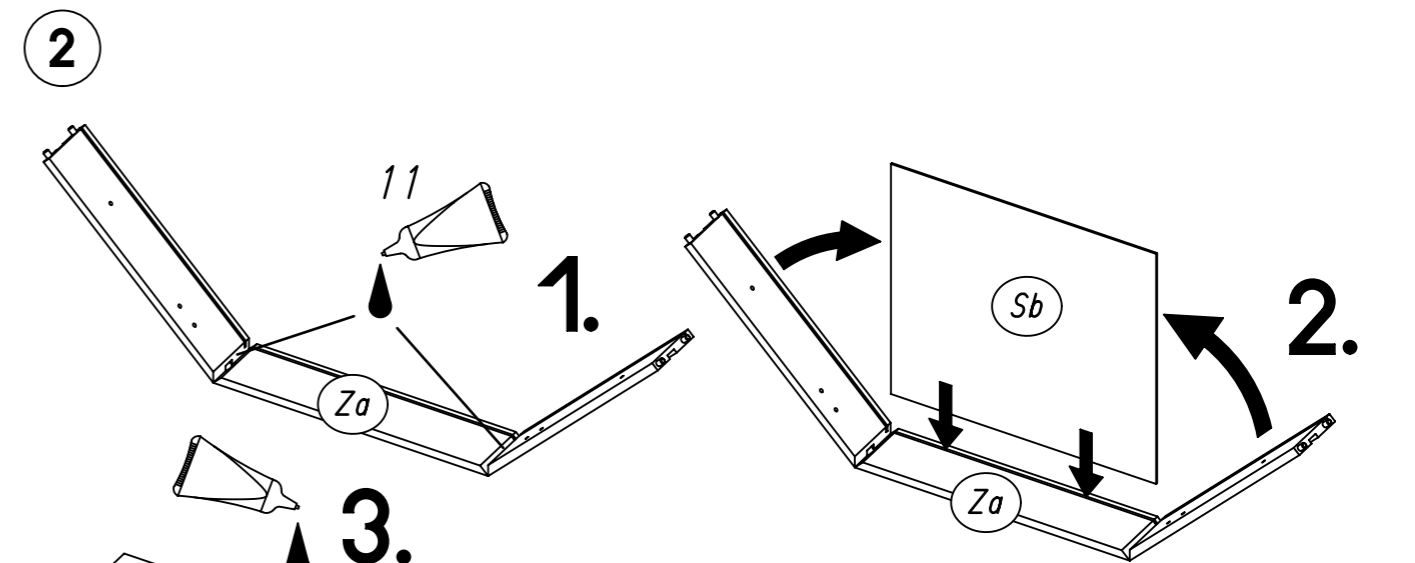


So1, So2, Bo1

Warning: 

20 Min

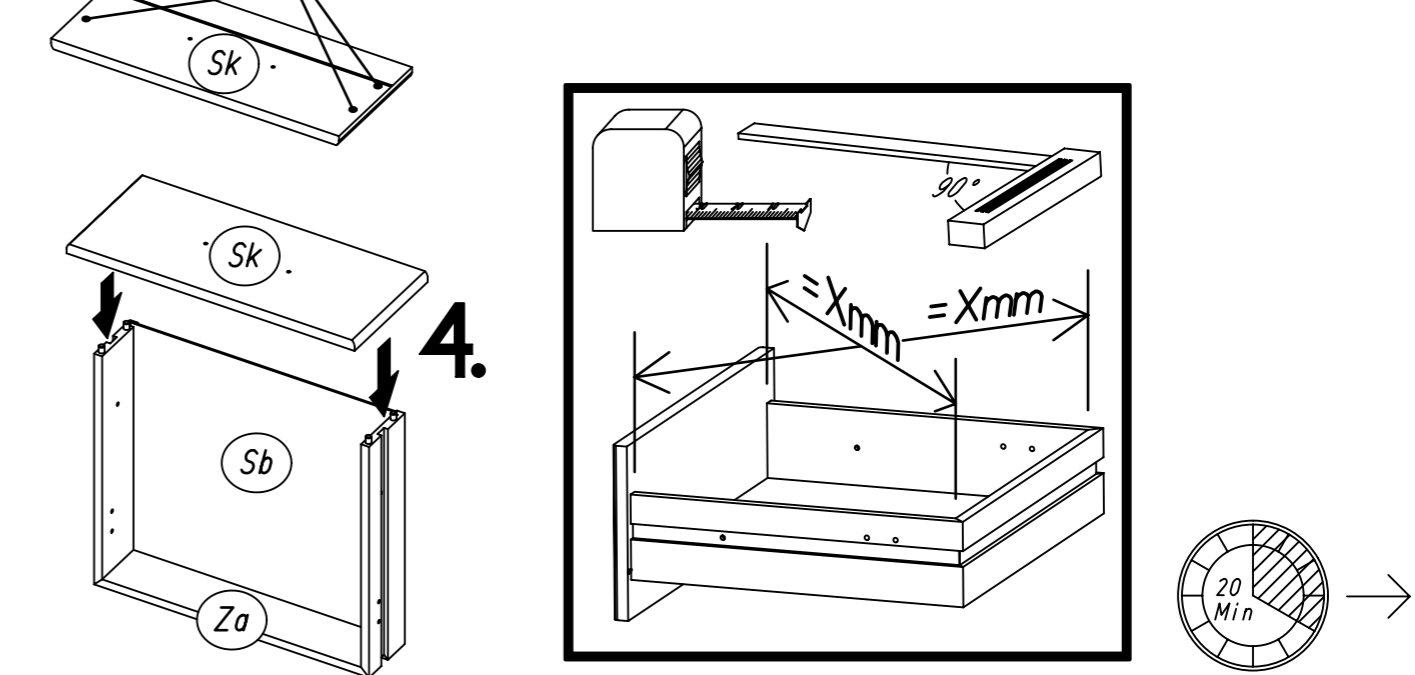
2



Za, Sb

20 Min

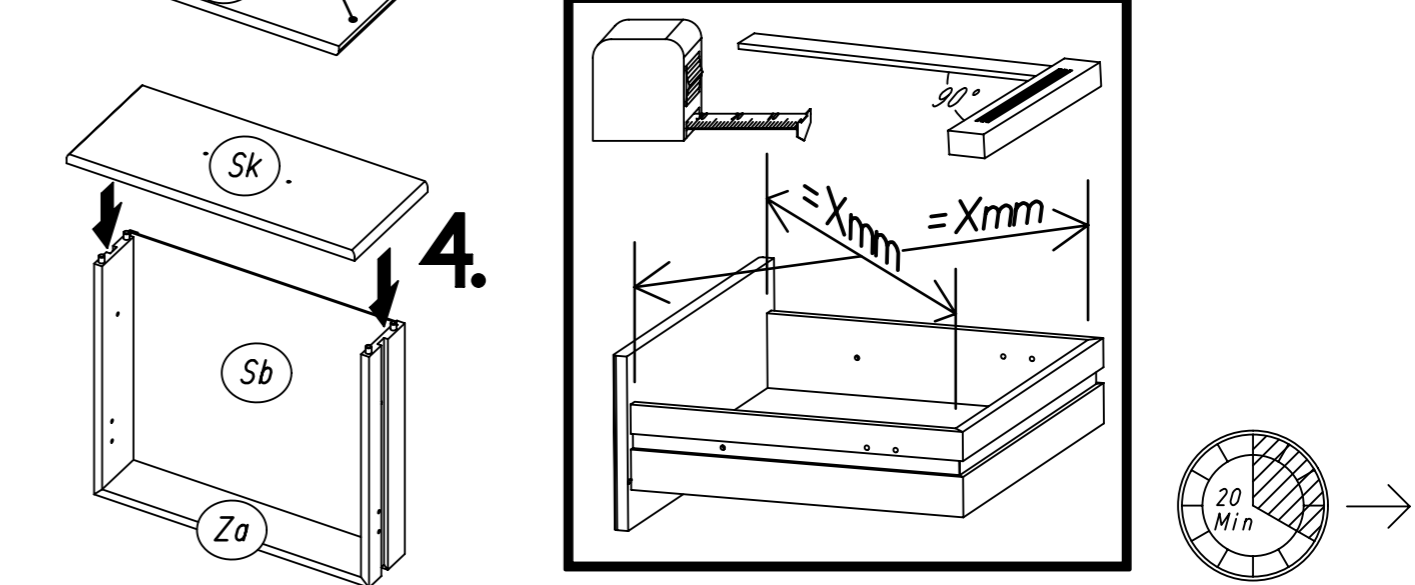
3



Sk, Za

20 Min

4



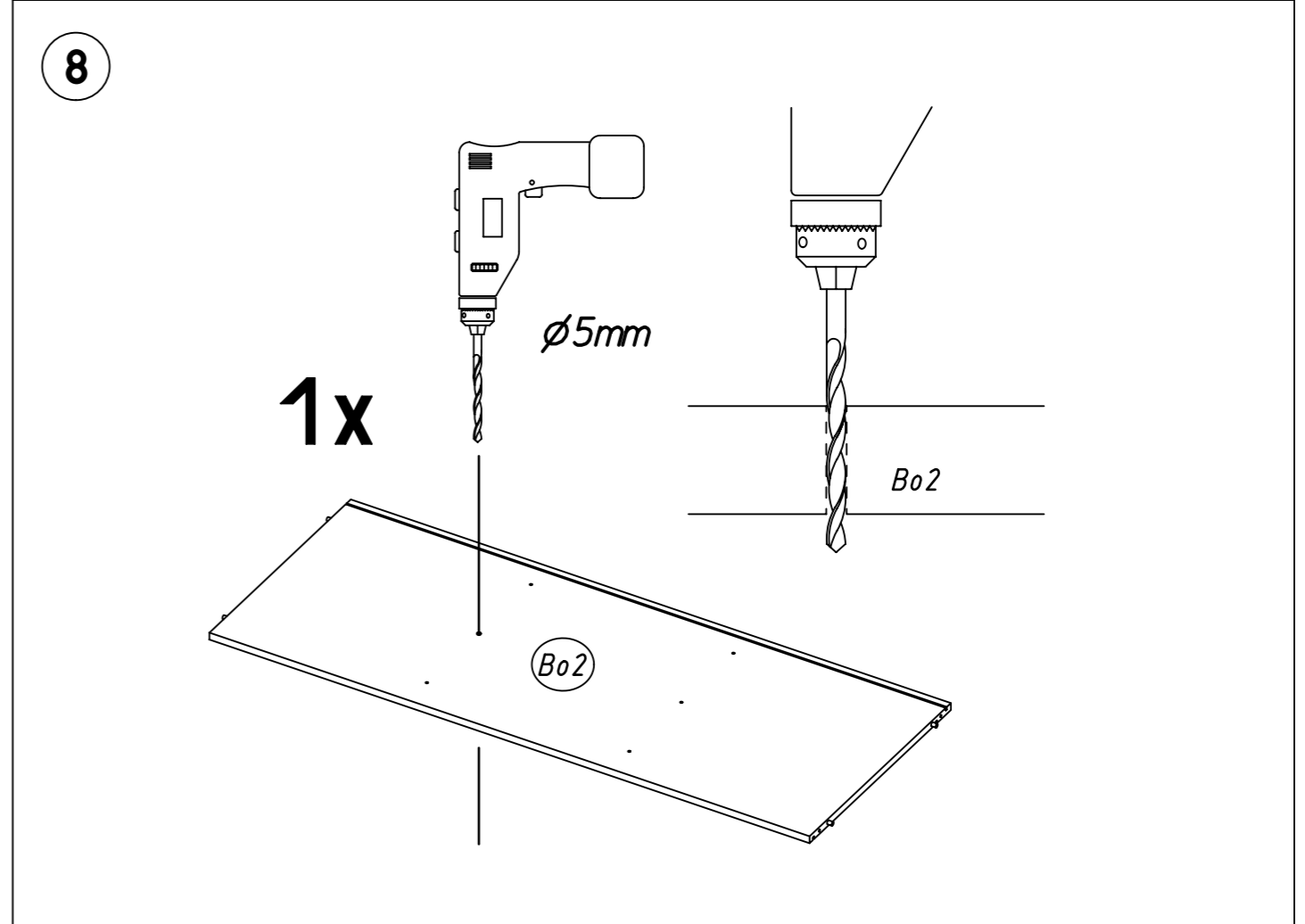
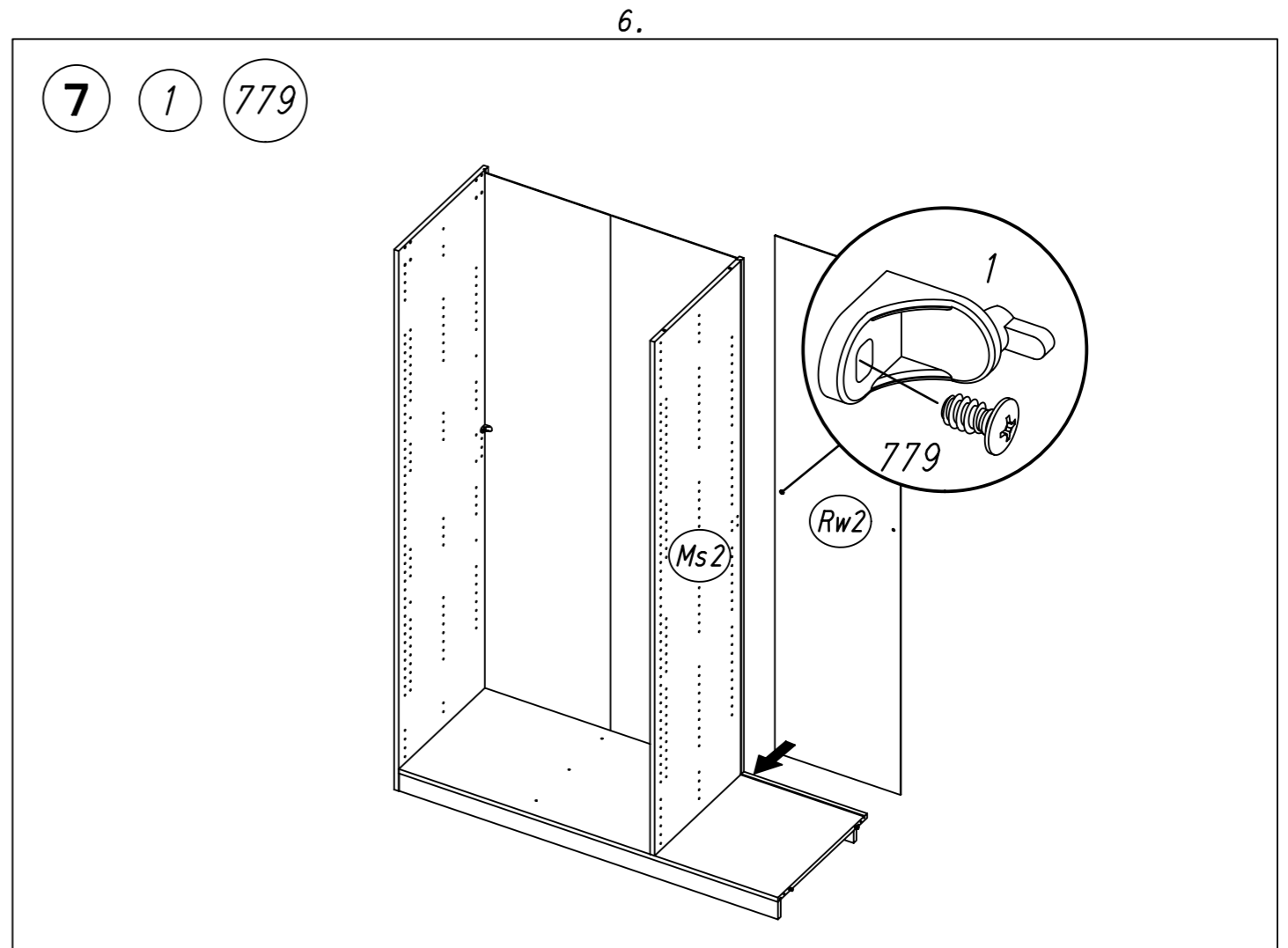
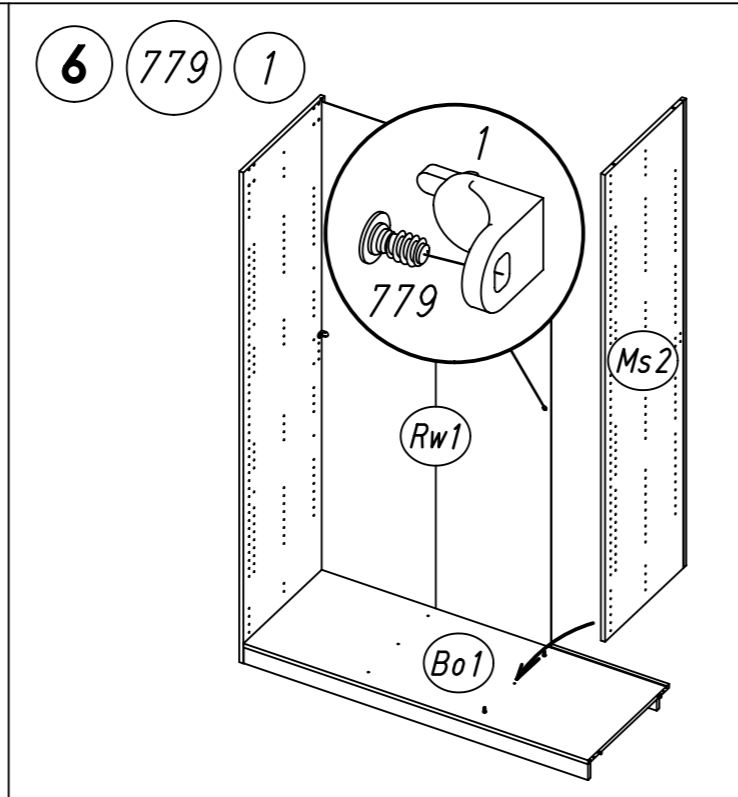
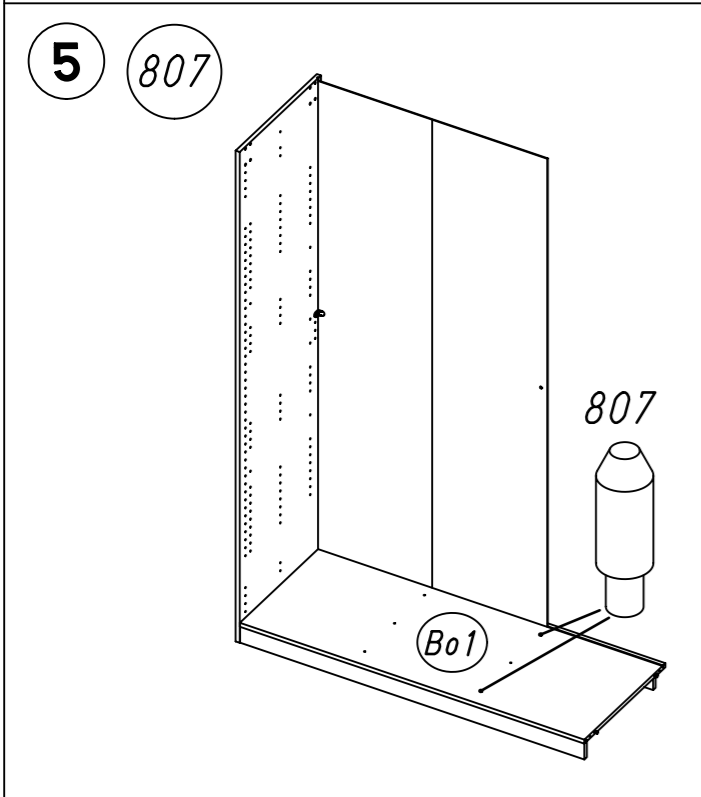
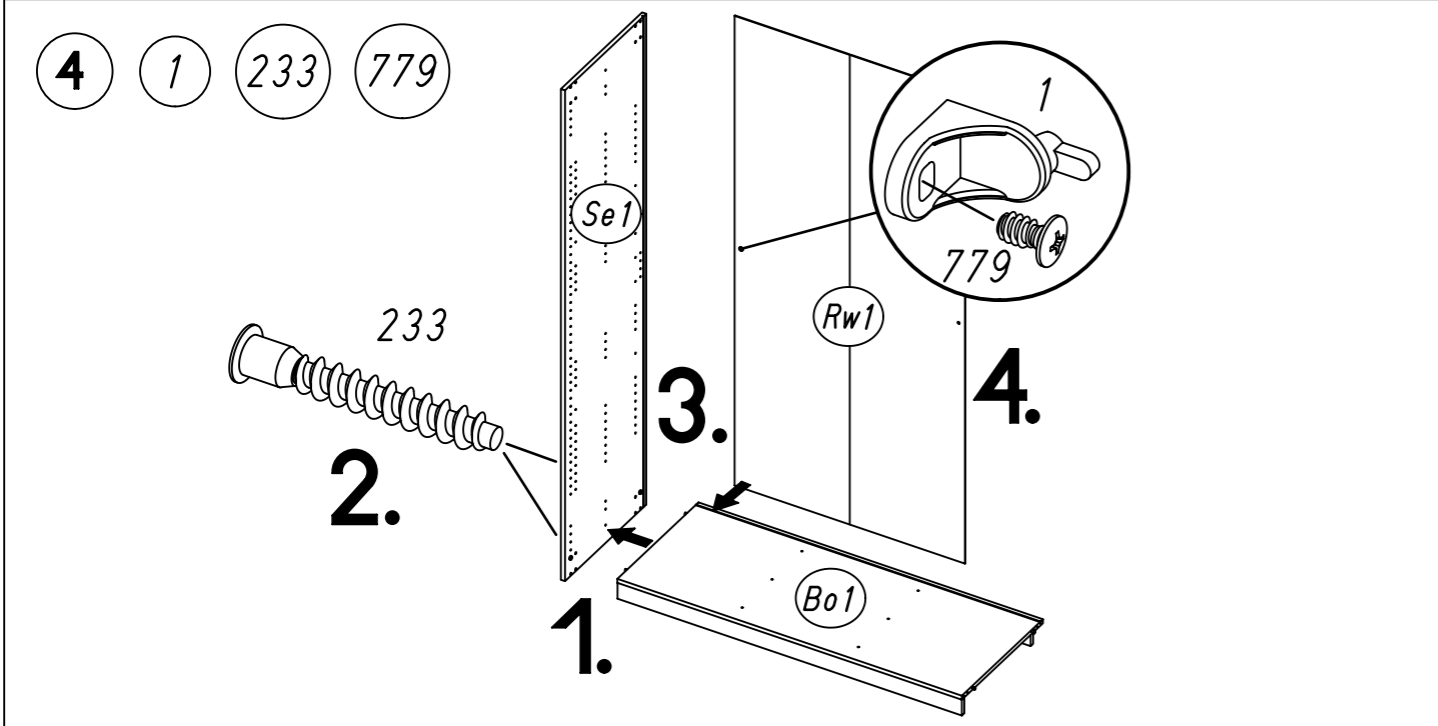
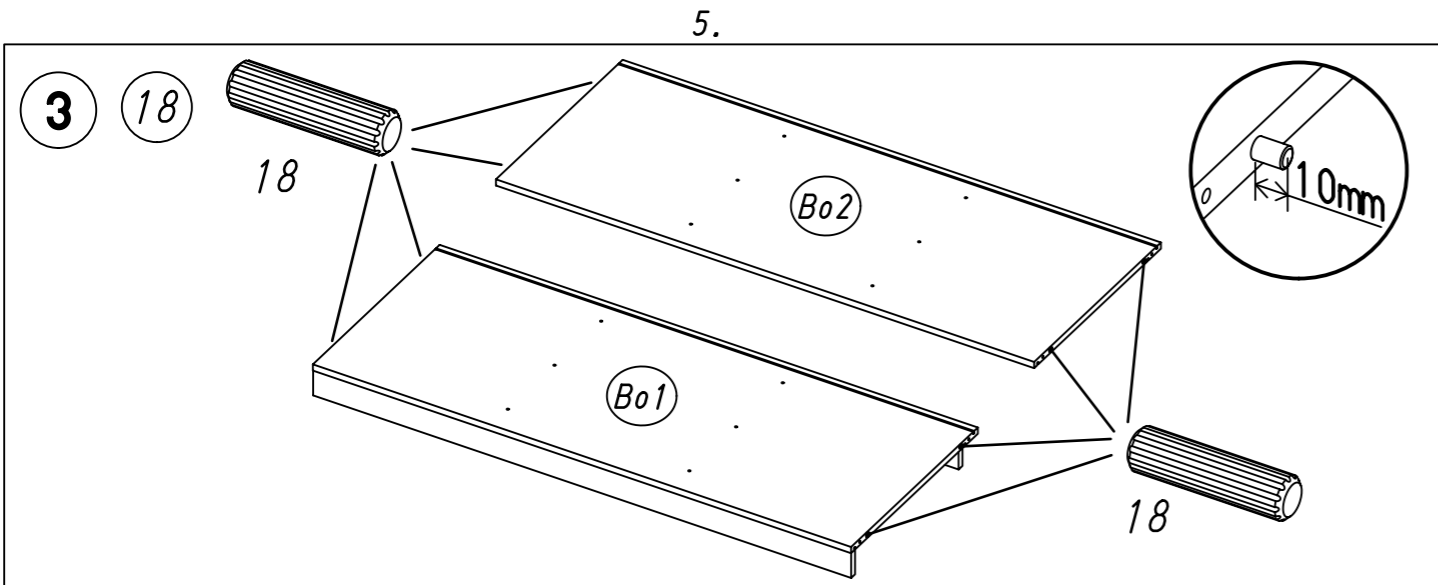
Sk, Sb, Za

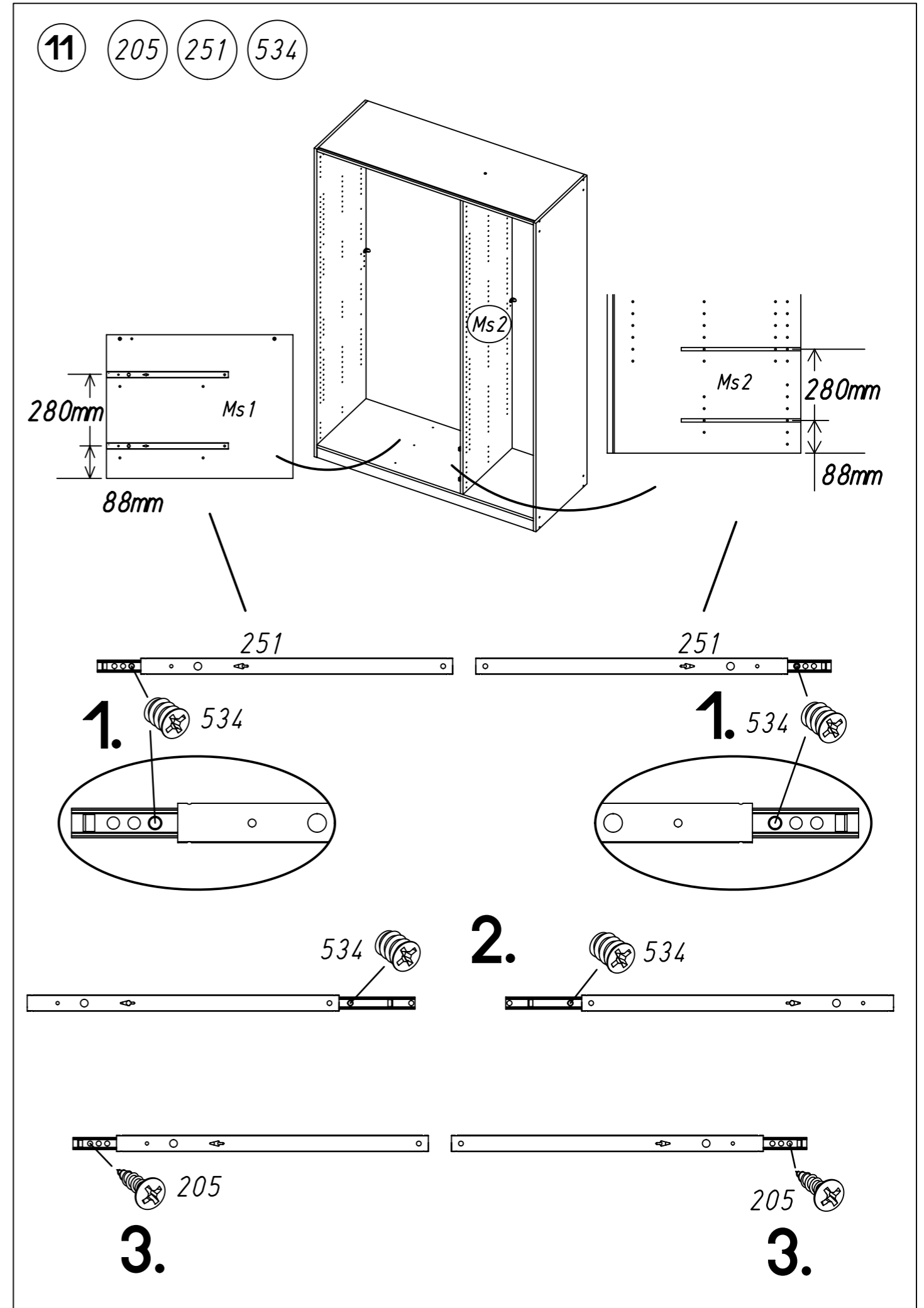
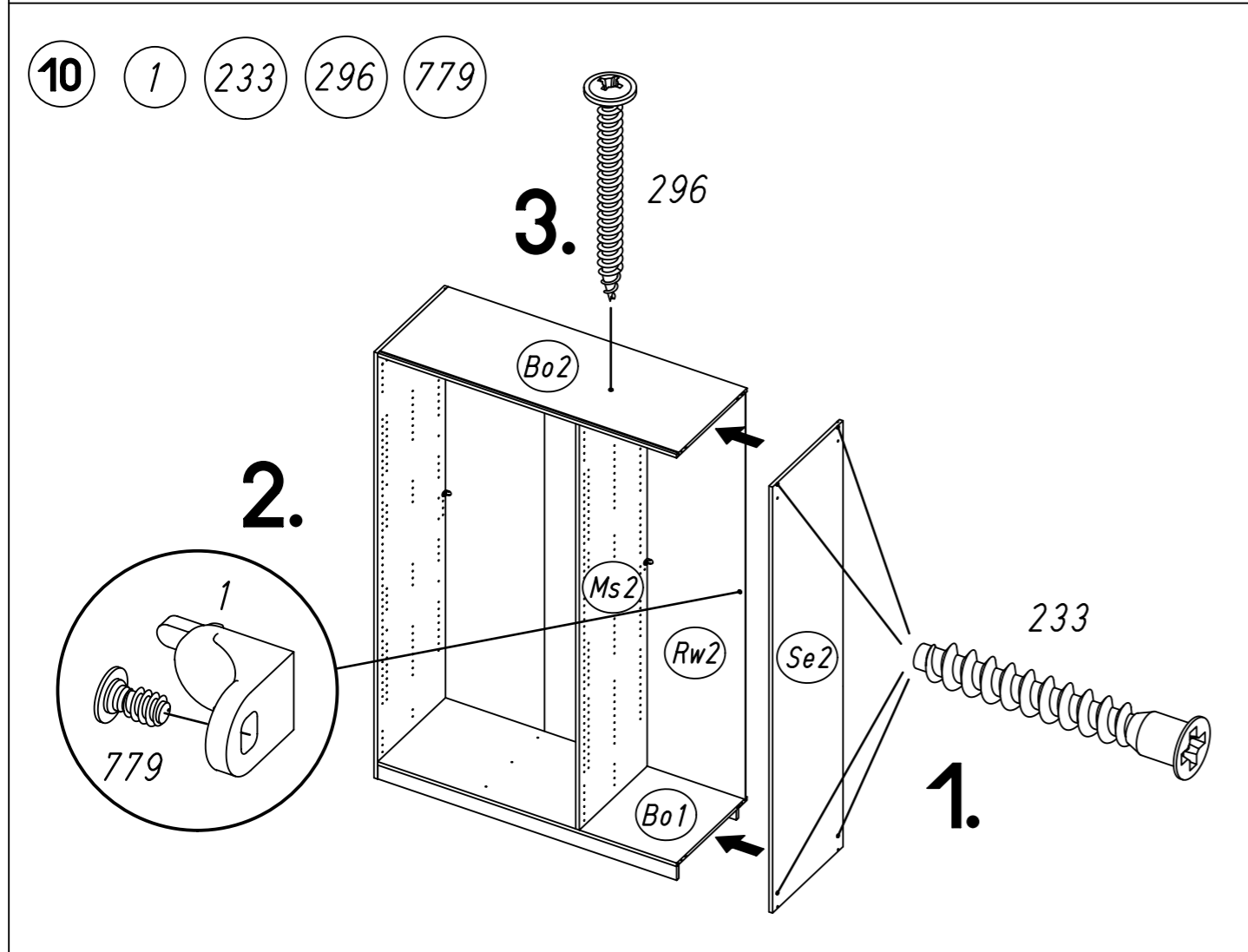
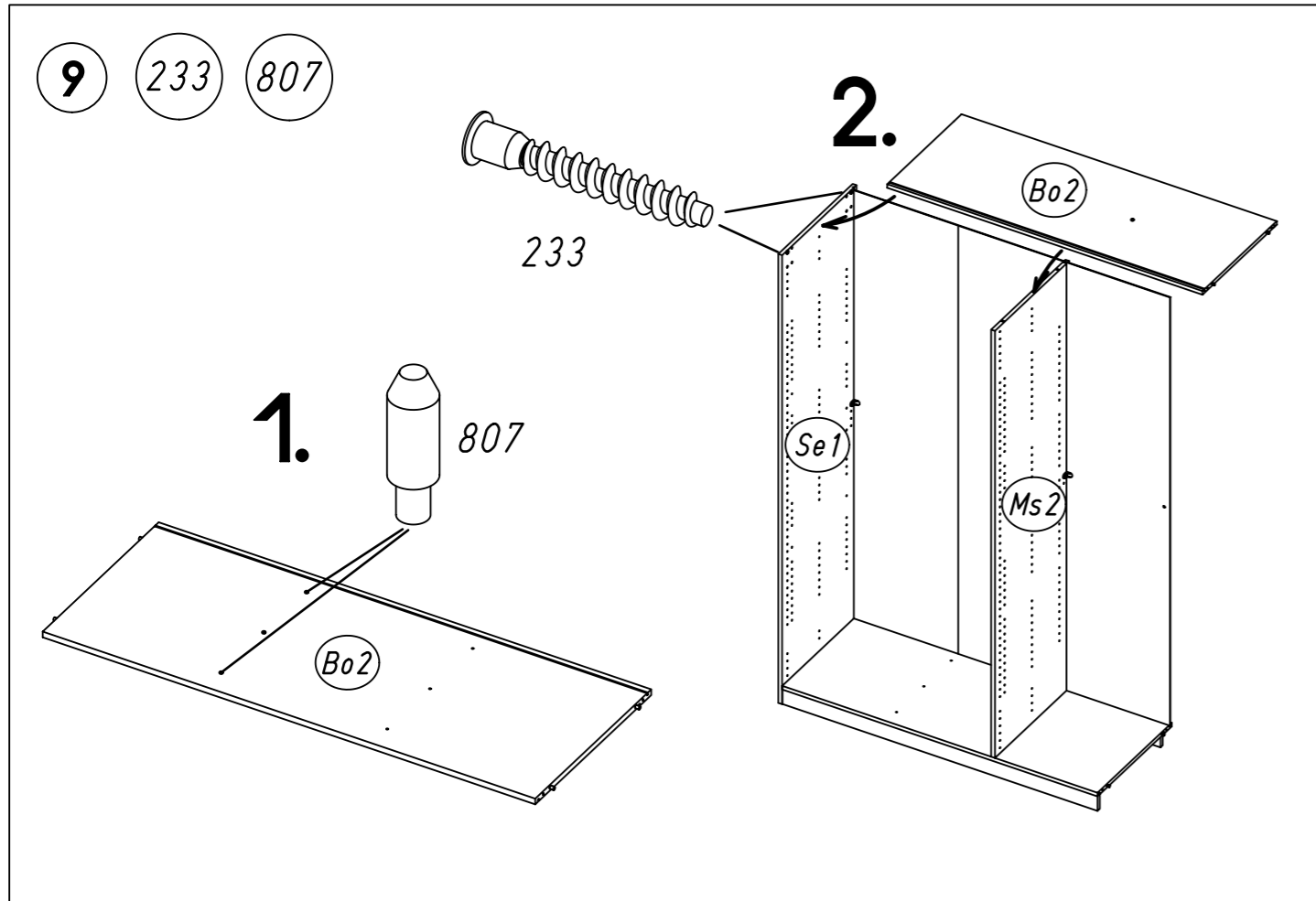
90°

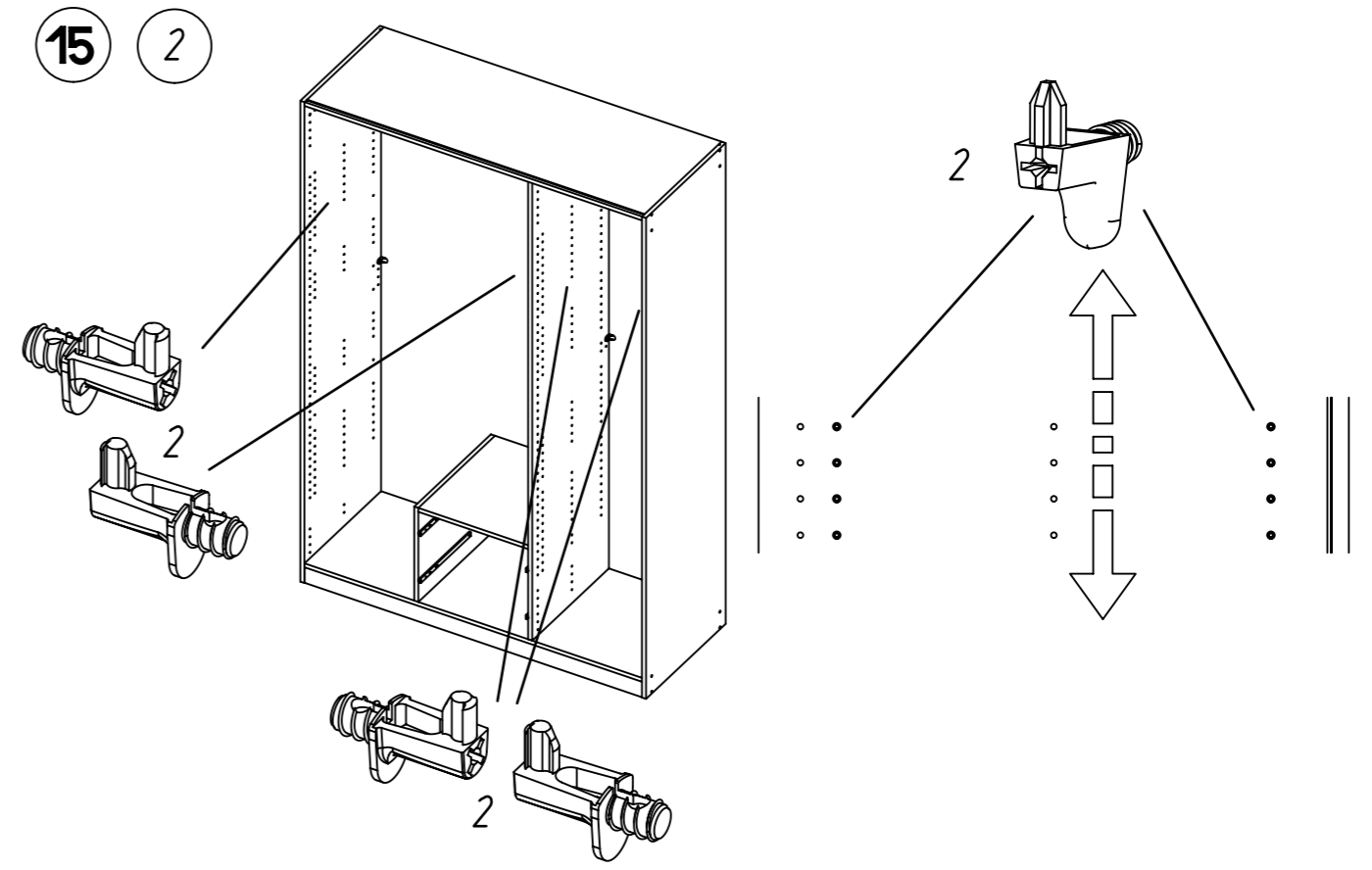
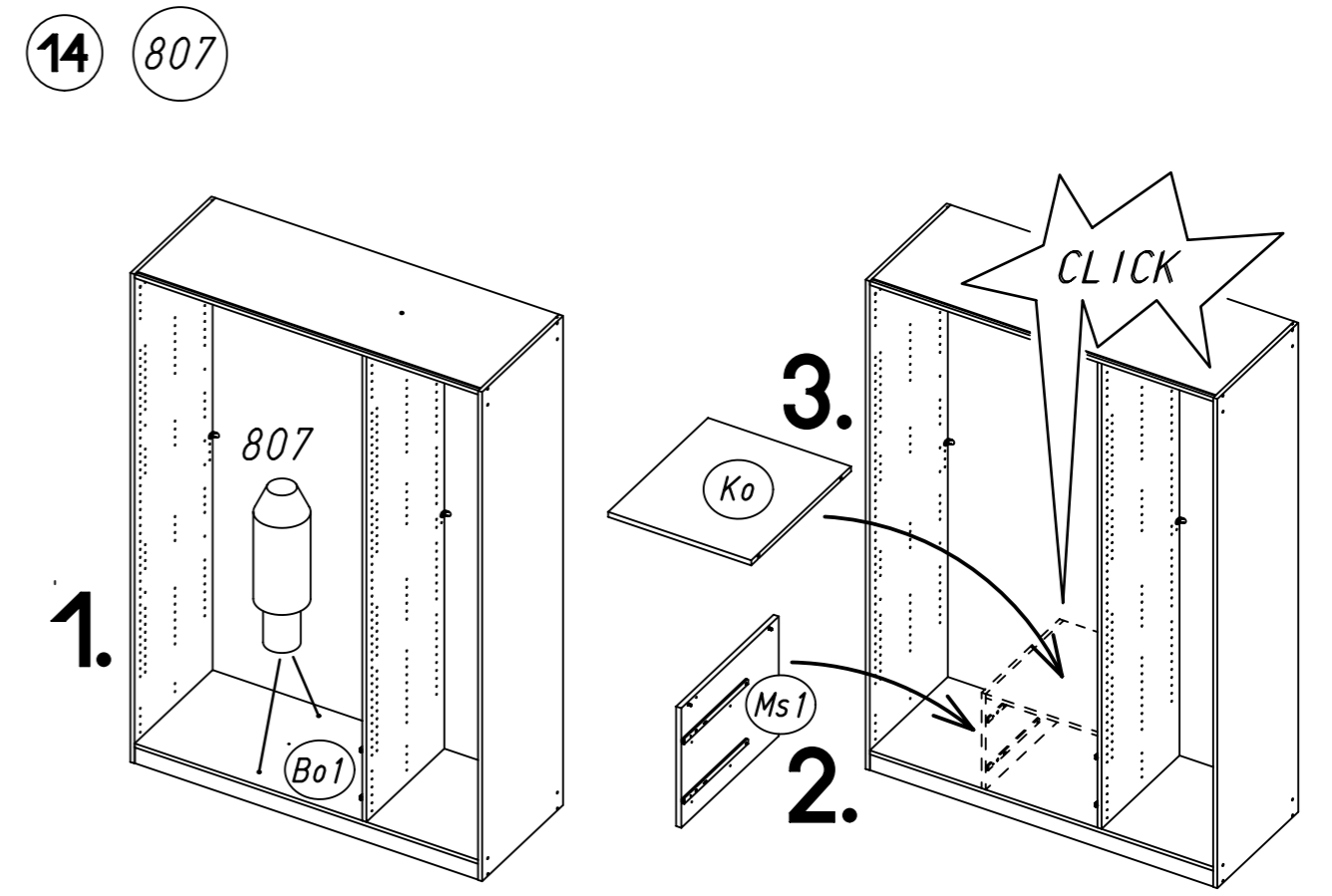
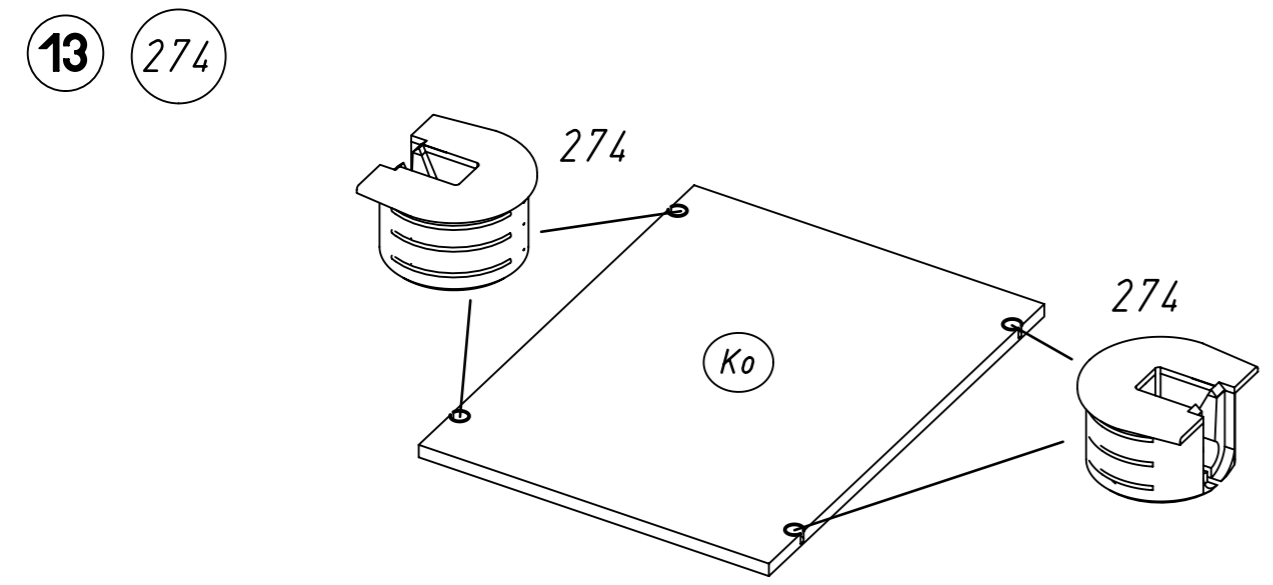
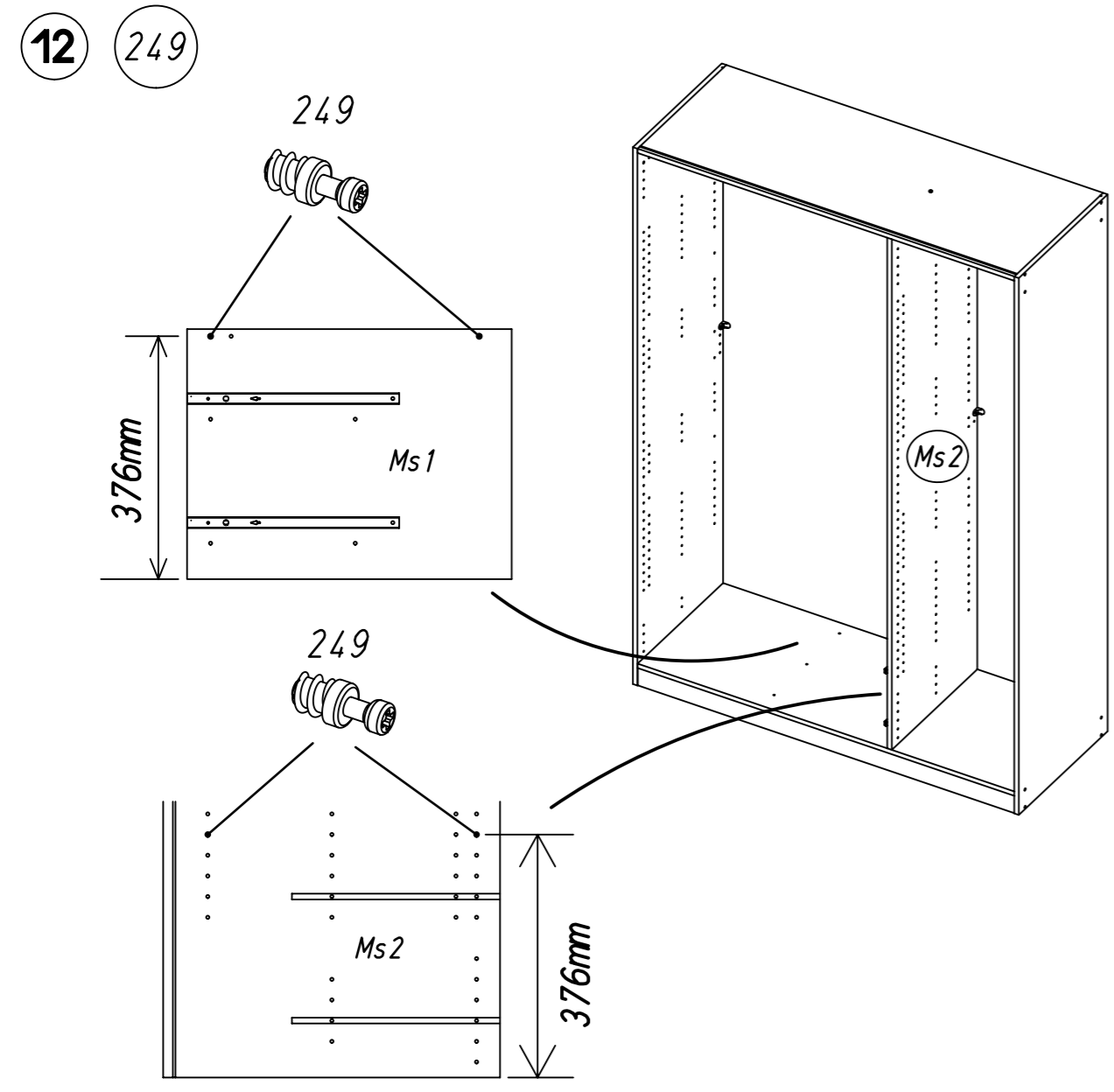
=Xmm =Xmm

20 Min

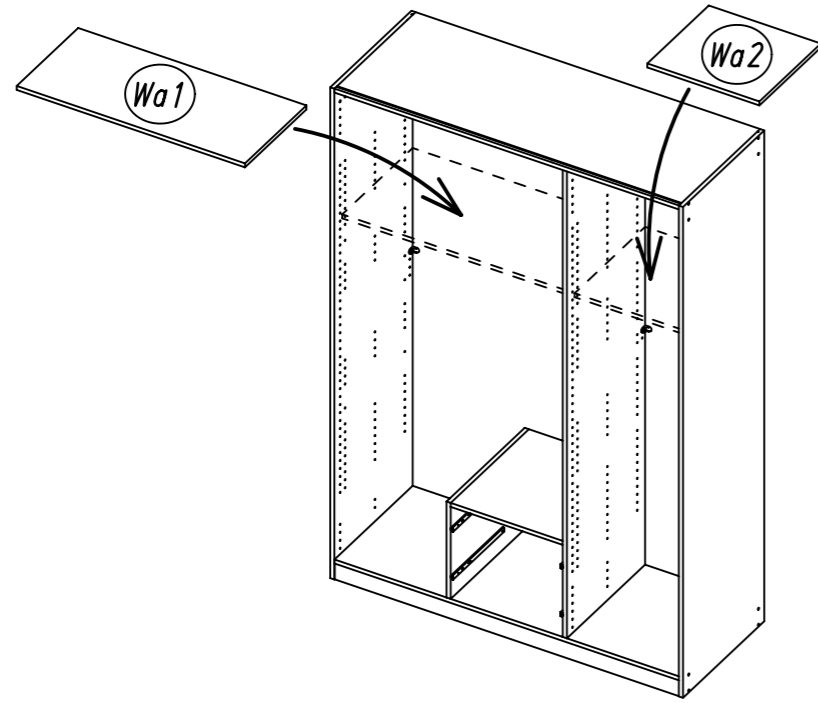
M1794



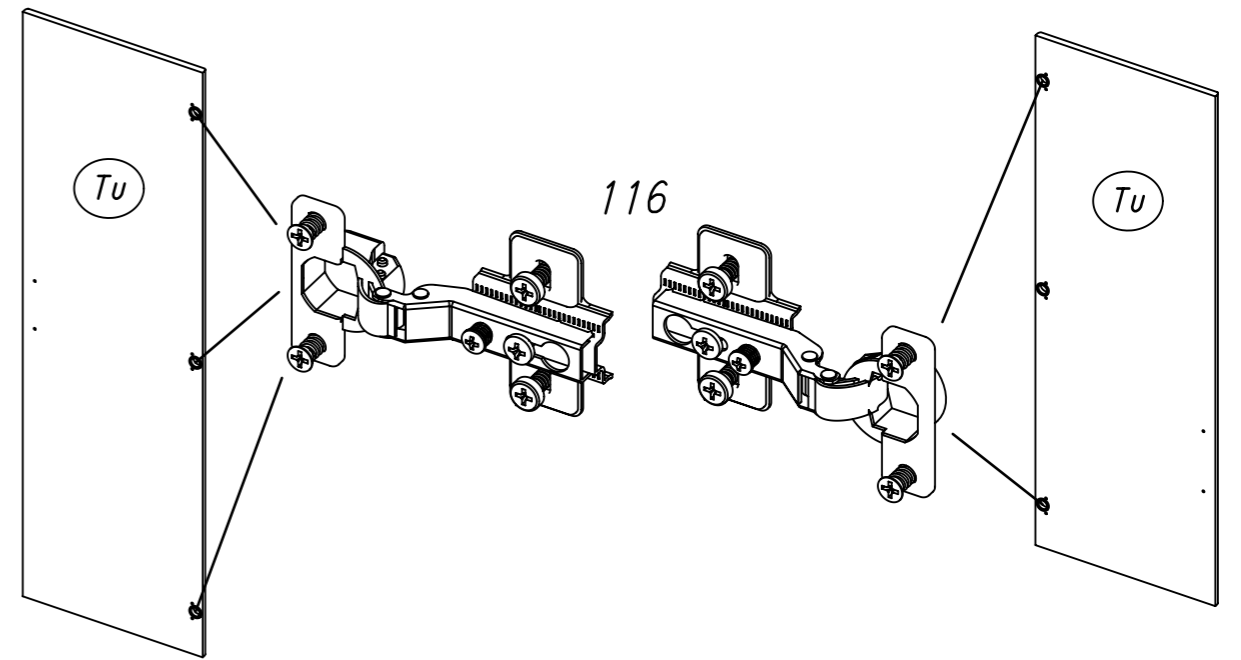




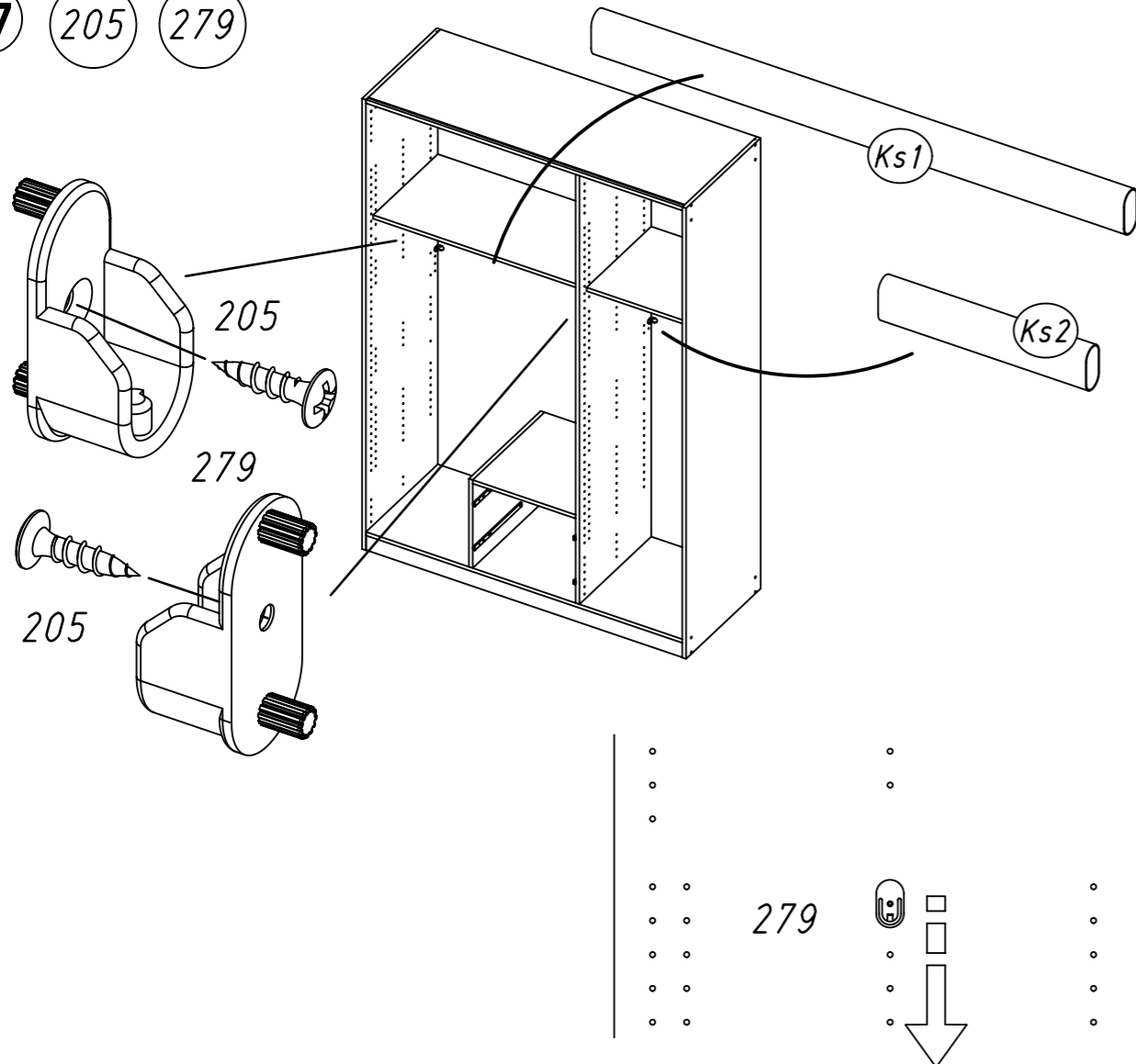
16



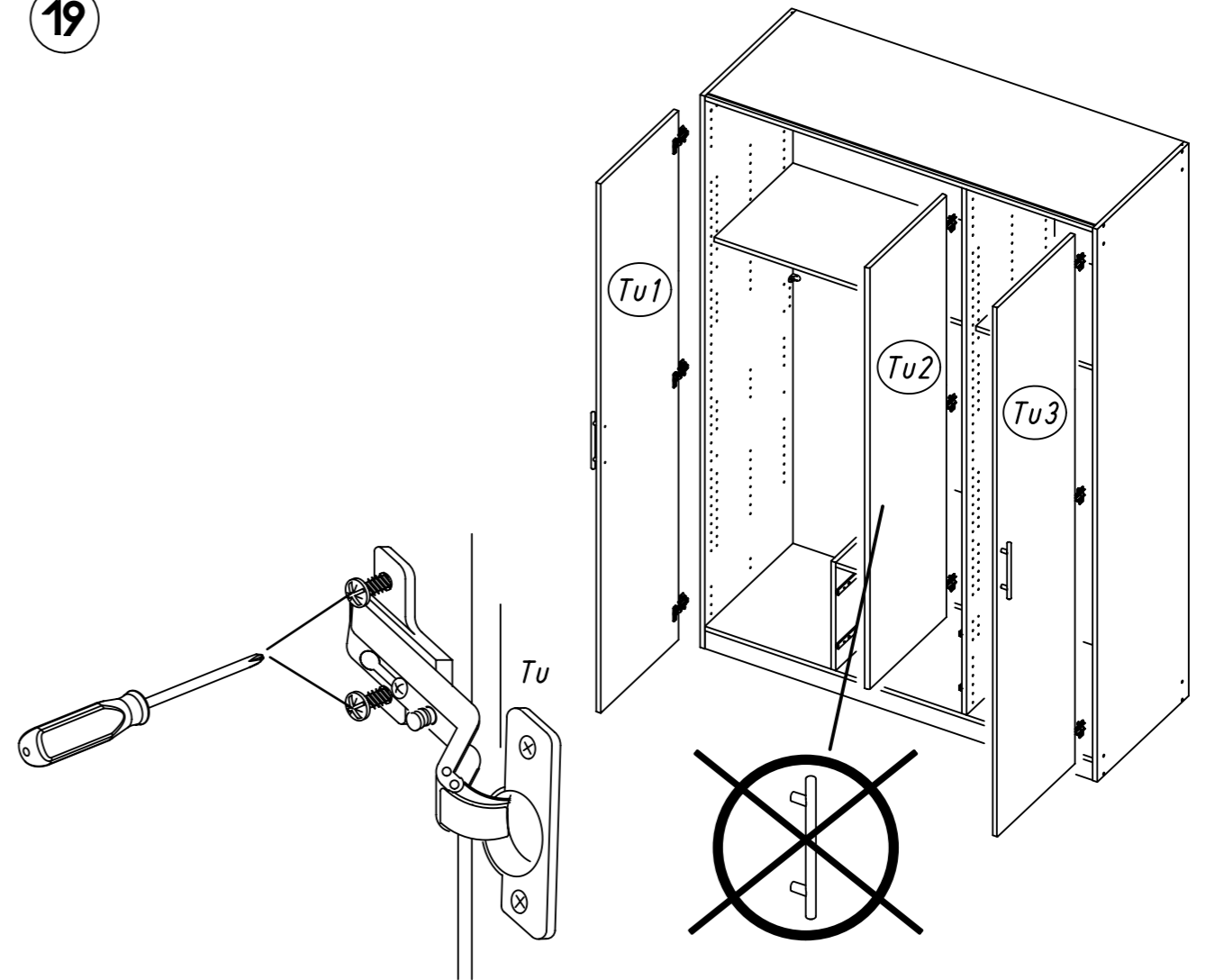
18 116



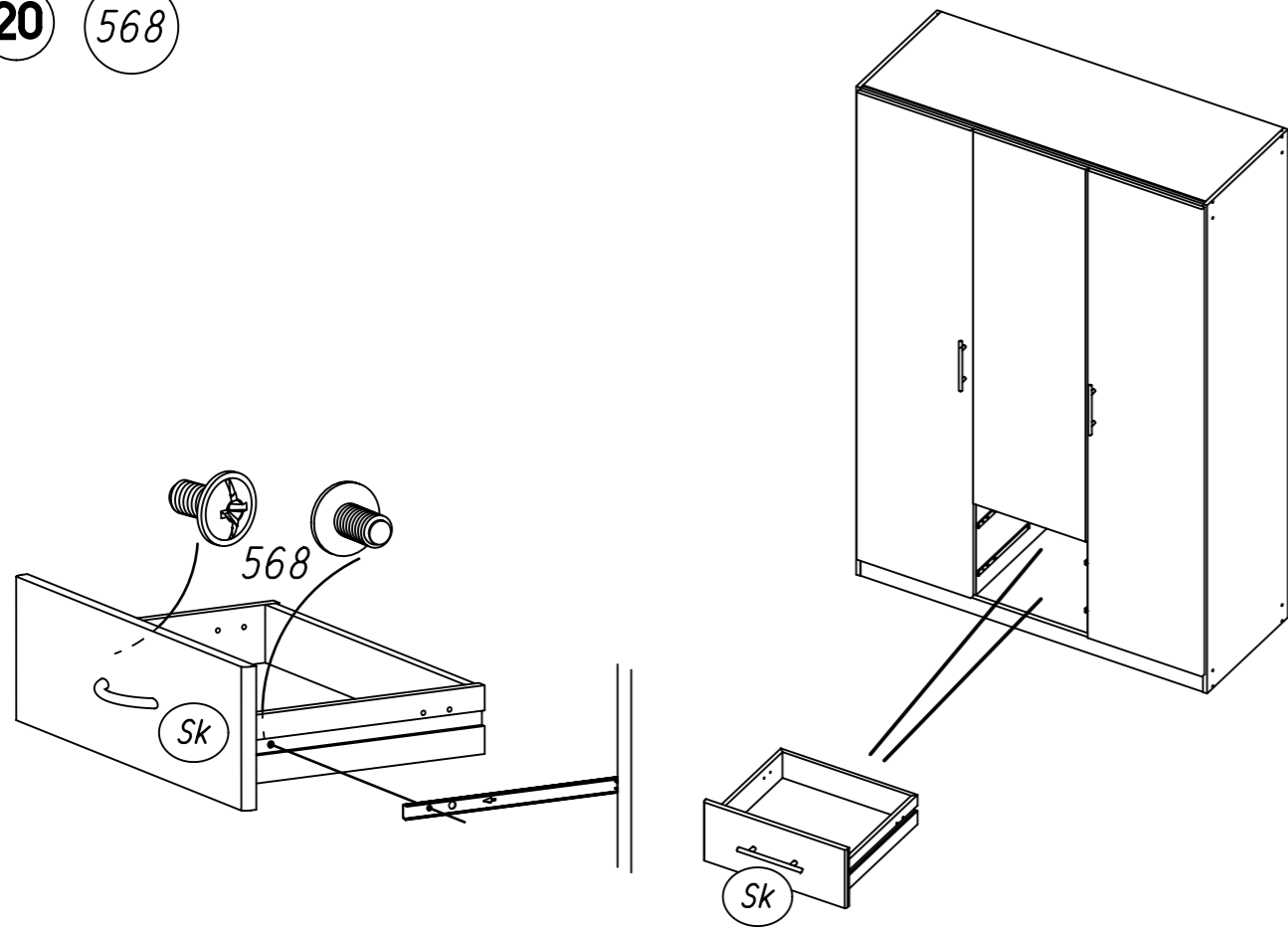
17 205 279



19

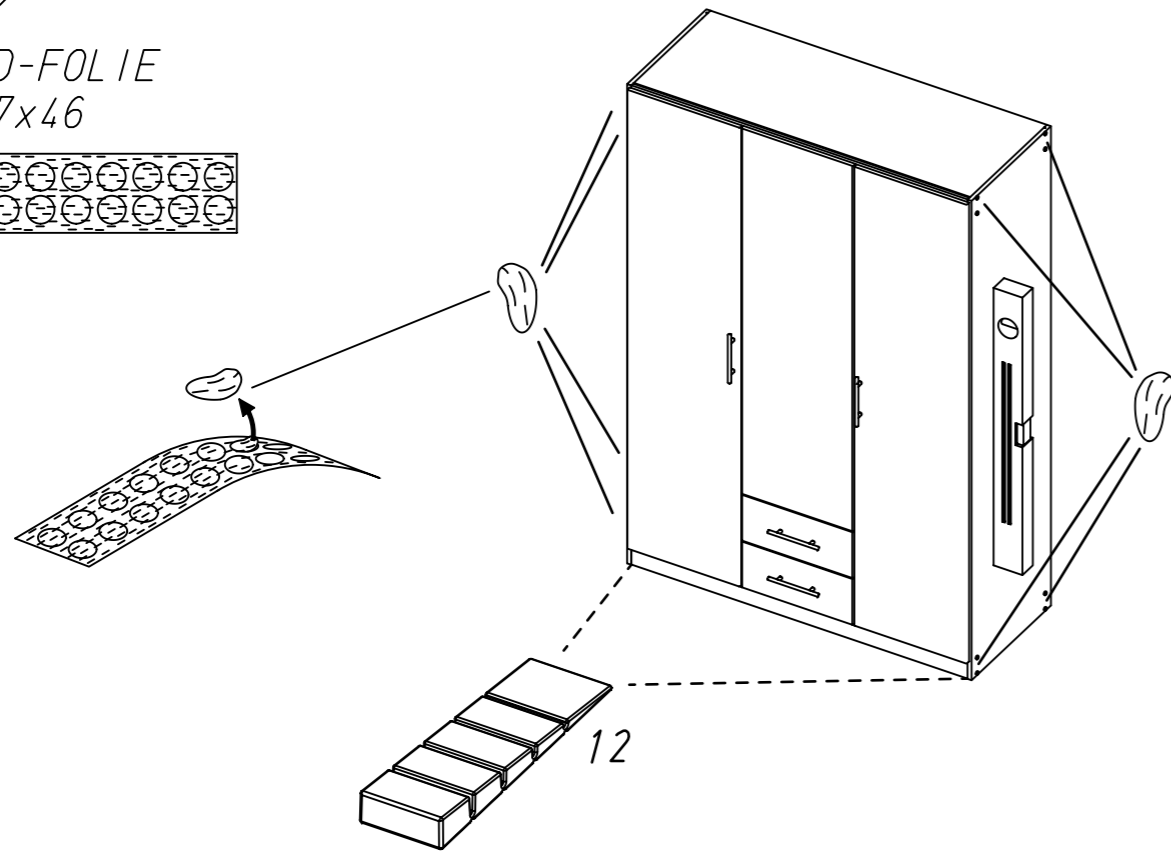
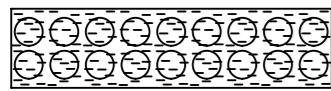


20 568



21 12

ABD-FOLIE
147x46



22

